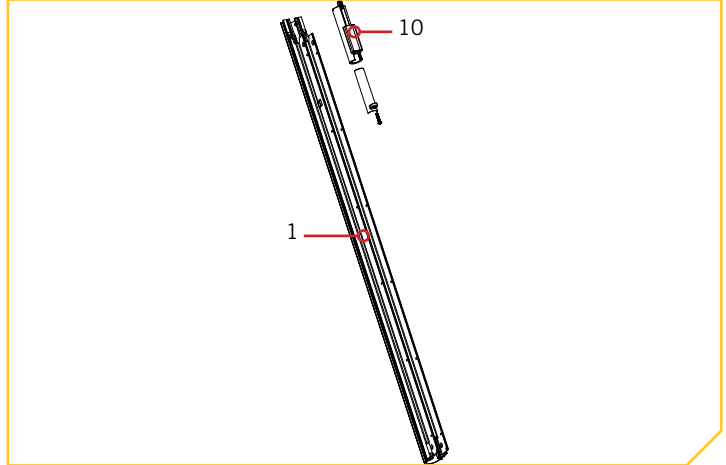


Item	Part #	Description	Qty.
1	2378056	EXTRS,2ND STG MCH,15'BT	1
	2378057	EXTRS,2ND STG MCH,8'BT	1
	2378058	EXTRS,2ND STG MCH,10'BT	1
	2378059	EXTRS,2ND STG MCH,12'BT	1
	X	RIVET-POP, 1/8", 316 SS	12
	X	SHIELD-DEBRIS, 2ND STAGE	1
	X	LATCH, SECOND STAGE	1
	X	SPRING, .360" X .50"	1
	X	PIN, KNURLED, 1/8"	1
	X	DEBRIS-CHANNEL	1
	X	INSULATOR, STOP PIN	1
	X	PIN-KNURLED, 3/16 X 1.400", SS	1
10	X	PISTON ASSEMBLY, TALON 3	1



Since the release of the Talon BT Shallow Water Anchors in 2018 there have been a few design changes to improve some of the original components. These changes do not represent safety issues, but are an indication of an effort to continuously improve the reliability and performance of the Talon product line. **If the latest/current component part is not already installed, the installation of the new part(s) should be considered an “automatic” update.** Select the corresponding part number in item #1 for the Talon length. This applies to both in-warranty and out-of-warranty units. We will honor warranty claims on all Talon BT Shallow Water Anchors for these updates. Use labor code SB20180801-STG2/PISTON MOD when submitting a warranty claim for three hours of labor. Please review Part 1 - Case V of the [online Talon repair manual/video on the Canto Service Portal](#).

This update is intended to prevent sand or other debris from getting stuck in and around the Spike Piston, causing the Talon to bind. It will require changing the Second Stage Extrusion and spike piston. The two slots in the new Second Stage, along with the fluted spike piston will allow water to flow through and flush out sand and other small debris.

